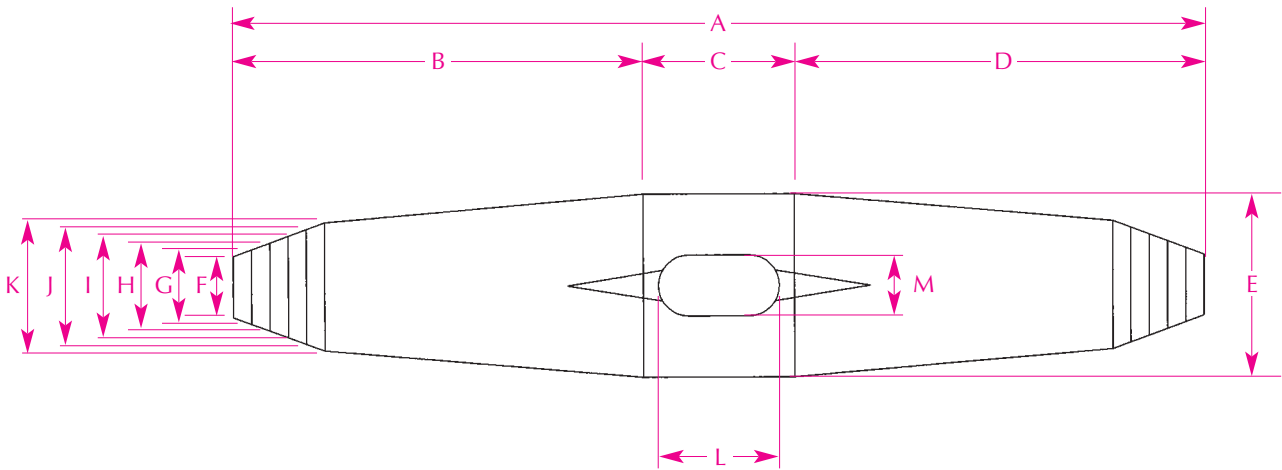


STRAIGHT JOINTS



KEY FOR JOINT DIMENSIONS

ALL DIMENSIONS ARE INTERNAL.
ALL MEASUREMENTS IN MILLIMETRES.

Joint	Resin Packs used	A	B	C	D	E	F	G	H	I	J	K	L	M
S4	RP0 (1 pack)	160	67.5	25	67.5	30	10	12	14	16	19	21	20	10
S10	RP1 (1 pack)	210	100	50	60	38	10	14	18	22	26	30	30	15
S16	RP2 (1 pack)	225	83	45	96	48	10	16	20	25	29	33	30	15
S25	RP3 (1 pack)	310	101	49	160	52	17	21	25	30	31	38	30	15
S50	RP4 (1 pack)	370	110	60	200	66	20	23	26	30	33	36	40	20
S120	RP5 (1 pack)	600	154	86	360	79	30	35	38	42	46	49	40	20
S240	RP6/RP4 (2/1 packs)	780	225	120	435	125	48	50	58	65	71	79	40	30
S400	RP6 (6 packs)	1240	255	300	685	157	55	67	79	91	91	103	60	40

KIT SELECTION CHART FOR LV STRAIGHT JOINTS - ARMoured CABLES

Cable Size (mm)	1.5	2.5	4	6	10	16	25	35	50	70	95	120	150	185	240	300	400
Kit Number																	
S4																	
S10																	
S16																	
S25																	
S50																	
S120																	
S240																	
S400																	

KIT SELECTION CHART FOR LV STRAIGHT JOINTS - UNARMoured CABLES

Cable Size (mm)	1.5	2.5	4	6	10	16	25	35	50	70	95	120	150	185	240	300	400
Kit Number																	
S4																	
S10																	
S16																	
S25																	
S50																	
S120																	
S240																	
S400																	

KIT SELECTION CHART FOR LV CONTROL CABLES

Kit Number	Cable Size	2 core	4 core	5 core	7 core	8 core	10 core	11 core	16 core	27 core	30 core	48 core
SCC4	1.5mm											
	2.5mm											
SCC8	1.5mm											
	2.5mm											
SCC16	1.5mm											
	2.5mm											
SCC24	1.5mm											
	2.5mm											

KIT SELECTION CHART FOR MULTIPAIR TELEPHONE CABLES

Kit Number	Cable Size	2pair	5pair	10pair	15pair	25pair	40pair	50pair	100pair
ST5	0.9mm								
ST15	0.9mm								
ST25	0.9mm								
ST50	0.9mm								
S100	0.9mm								

Note: Overlap in cable sizes allows for unarmoured cables. All Dimensions are internal of the finished products.